

FAUCET DESCRIPTION

- Metal and brass construction with Chrome plated or Classic Brushed Nickel (CBN) finish
- Shower arm has 1/2" IPS male threads
- Supplied with vandal resistant screws

OPERATION

- Lever style handle with temperature indicators on the escutcheon
- Handle operates counterclockwise through a 270° arc with off at 6 o'clock, and maximum hot at the 9 o'clock position. Shut off in clockwise direction
- Adjustable temperature limit stop to restrict the handle travel in the HOT direction
- Pressure balancing mechanism maintains selected discharge temperature to ± 2°

FLOW

- T8375** (2.5 gpm/9.5 L/min) - Chrome finish
- T8375CBN** (2.5 gpm/9.5 L/min) - Classic Brushed Nickel finish
- T8375EP15** (1.5 gpm/5.7 L/min) - Chrome finish, **WaterSense® certified**
- T8375EP15CBN** (1.5 gpm/5.7 L/min) - Classic Brushed Nickel finish, **WaterSense® certified**

CARTRIDGE

- Pair with a brass Posi-Temp rough-in valve:
- 8370HD*: 1/2" CC connection without integral stops
- 8371HD*: 1/2" CC connection with integral stops
- 8372HD*: 1/2" IPS connection with integral stops
- 8373HD*: 1/2" PEX connection with integral stops
- 8374HD*: 1/2" CPVC connection with integral stops
- 8375HD*: 1/2" UPONOR connection with integral stops
- *Includes the 1222HD Brass Posi-Temp Cartridge
- Nonmetallic/nonferrous and stainless steel materials
- Accommodates back to back installations

STANDARDS

- Third party certified to: WaterSense® (only applies to 1.5 gpm), ASME A112.18.1/CSA B-125.1 and all applicable requirements referenced therein including NSF61/9
- **ADA** for lever handle

WARRANTY

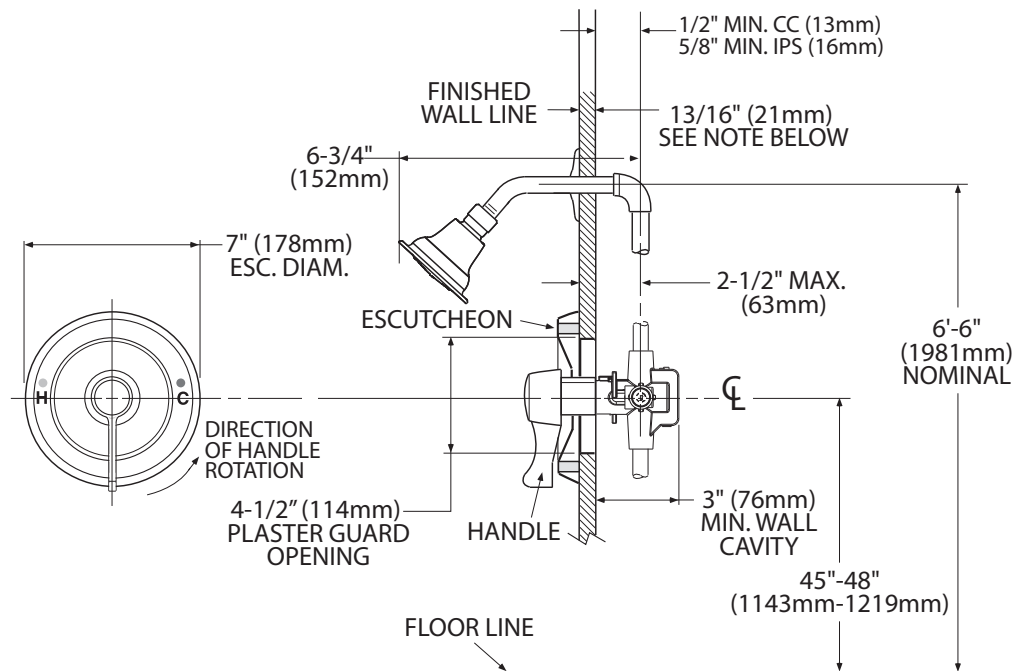
- Warranted for 5 years against material or manufacturing defects



Single-Handle Posi-Temp® Pressure Balancing Shower Trim Only



Certified by
IAPMO R&T
EP Models Only



CRITICAL DIMENSIONS

(DO NOT SCALE)